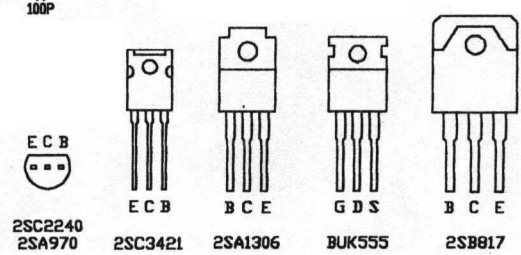
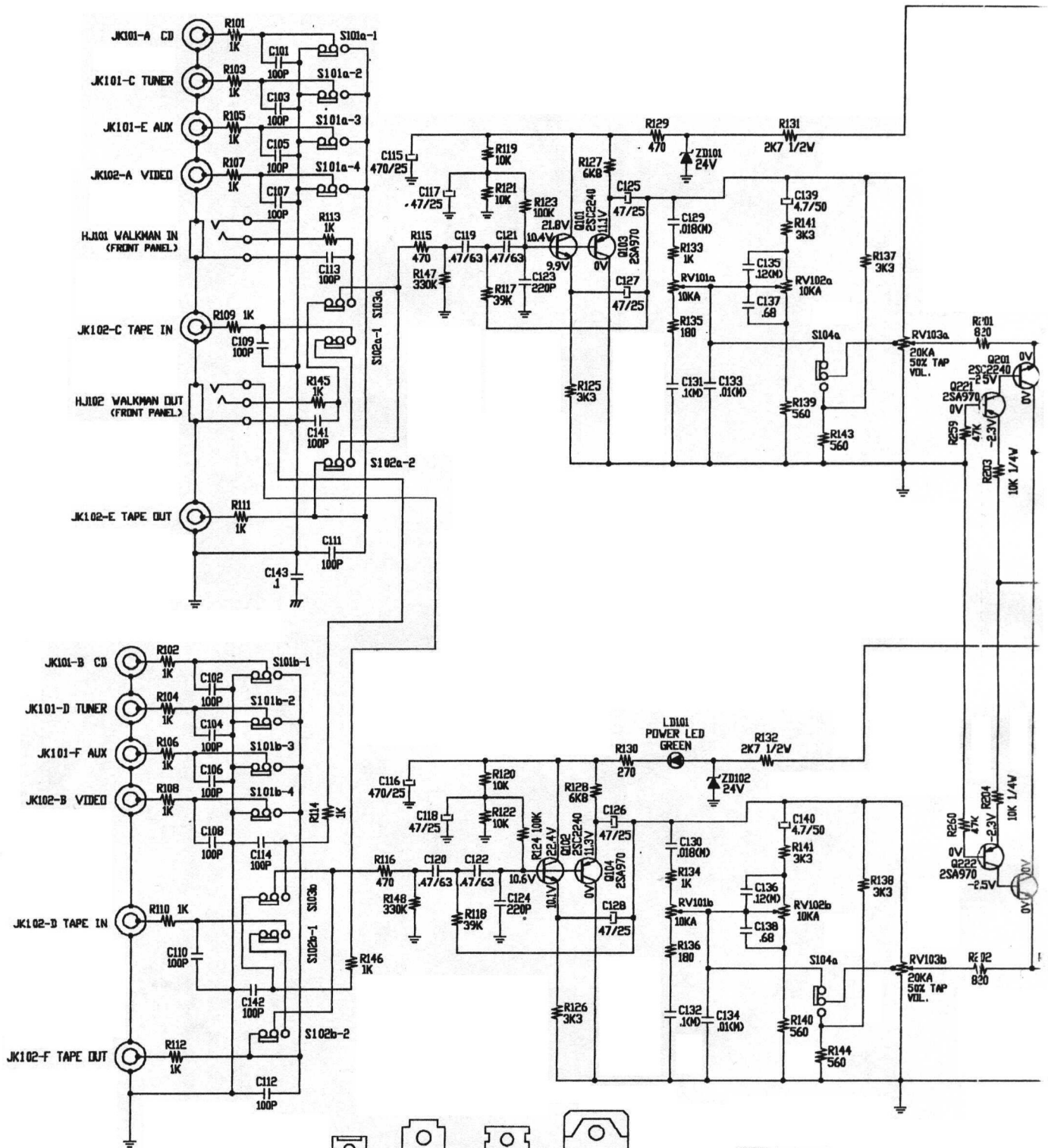


Ω = 1000Ω, K = 1000KΩ,
 /W unless otherwise noted.
 N of unless otherwise noted. P = μF.
 Values in accordance with present
 components must only be replaced

ING CURRENT ADJUST ONLY MUST BE

WITH NO SIGNAL APPLIED.
 : OTHER SPECIFIED.
 X UNLESS OTHER SPECIFIED.

SCHEMATIC DIAGRAM



- NOTE:
1. ALL RESISTANCE VALUES ARE IN Ω , K OR M .
 2. THE WATTAGE OF RESISTORS IS 1/8W UNLESS OTHER.
 3. ALL CAPACITANCE VALUES ARE IN μF UNLESS OTHER.
 4. SAFETY REQUIREMENTS COMPONENTS IN ACCORD WITH SAFETY REGULATIONS THESE COMPONENTS MUST BE ORIGINAL PARTS.
 5. R239 AND R240 USED FOR IDELING CURRENT AT SHORTED IN NORMAL OPERATION.
 6. VOLTAGE SHOWN ARE MEASURED WITH NO SIGNAL.
 7. ALL RESISTORS 1/8W, 5% UNLESS OTHER SPECIFY.
 8. ALL CAPACITORS CERAMIC, 50V, 5% UNLESS OTHER.